

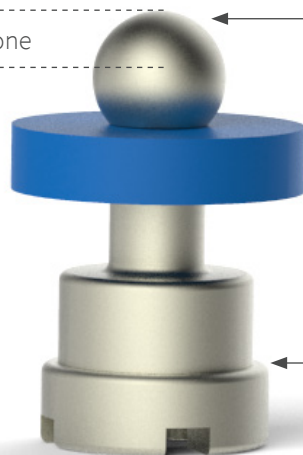
POWER MINI SMT TO SMT SOLDERBALL PIN SPECIFICATIONS

PART NUMBER	QTY PER REEL	TAIL CONFIGURATION	PIN SIZE DIAMETER	STACK HEIGHT	TAIL LENGTH	SOLDERBALL DIAMETER	RoHS COMPLIANT
9-B26441DETTA	1,100	Straight	.064" [1.62]	.170" [4.32]	.083" [2.11]	.071" [1.80]	Tin Lead

MECHANICAL SPECIFICATIONS:

- PIN TERMINAL: High Conductivity Copper Alloy
- SOLDER SPHERE: RoHs Compliant SAC Alloy or Tin/Lead
- PACKAGING: STD 16 mm Tape & Reel per Spec EIA-481
- PICK & PLACE: Pin Trough Paste Via Standard SMT Equipment

Coplanarity
Compensation
Zone



Solder Sphere

Ø: 0.041 ± 0.004", for 0.075" SMT Pad, compensation 0.015" [.35 mm], stack up height up to: 0.120" [3.05 mm]

Insulator Disk

94V-0, Ø: 0.090"; thickness: 0.020"
Pin to Pin spacing: 0.100" [2.54 mm] ctrs.

Copper Alloy Pin

plated for 0.046" PCB hole size
or 0.085" pad size SMT [2 .15 mm]

AUTHORIZED DISTRIBUTORS



Casey Donovan | 800. 325. 0534 | cdonovan@keiconn.com



www.hiscoinc.com | +1 877. 447. 2650 | info@hiscoinc.com

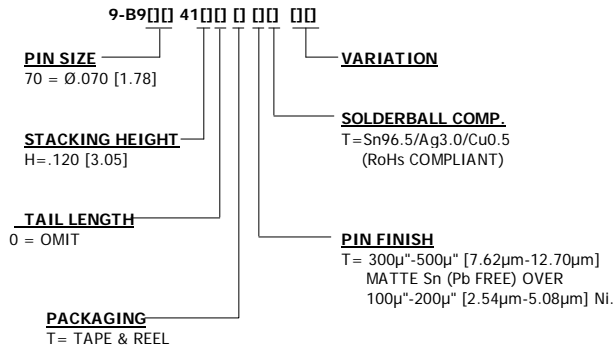
NOTES: UNLESS OTHERWISE SPECIFIED

1. INTERPRET DRAWING IN ACCORDANCE WITH ASME Y14.5M -2009.
2. PARTS TO BE PACKAGED IN TAPE & REEL PER EIA STD-481.
3. RECOMMENDED PICK HEIGHT: .022 [0.56] FROM TOP OF POCKET.
4. SOLDERABILITY PER IPC/EIA J-STD-002, TEST A, CATEGORY 3.
5. PREPROCESSED COPPER PIN TO BE PLATED WITH:
 T = 300µ"-500µ" [7.62µm - 12.70µm] MATTE Sn (Pb FREE) OVER
 100µ"-200µ" [2.54µm - 5.08µm] Ni, INSPECTED PER
 AUTOSPlice WORK INSTRUCTION 4.10-14 REV 'A'.

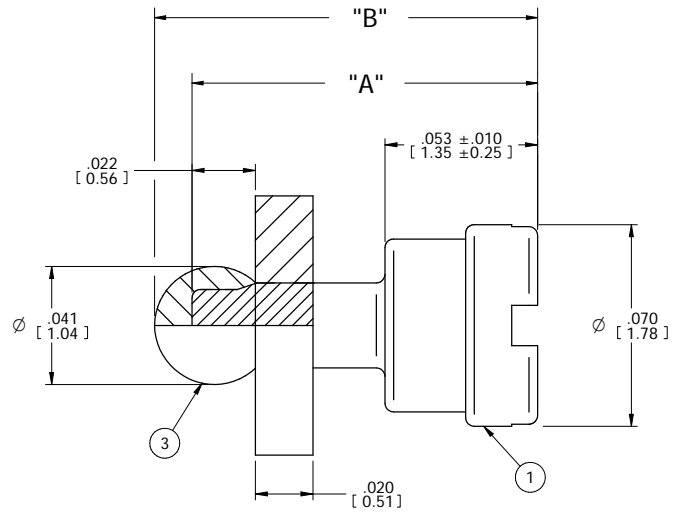
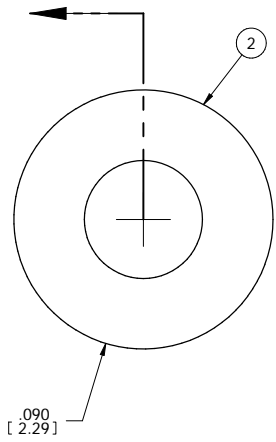
PART NUMBER LIST					
PART NUMBER	"A"	"B"	"Y"	INSULATOR COLOR	QTY/REEL
9-B97041H0TTT	.120 [3.05]	.133 [3.38]	.125 [3.18]	BLUE	1,700±15%

REV	REVISION RECORD	ECN	BY	APVD	DATE
A	INITIAL RELEASE PER EWR#107143	506217	KR	PVB	03/28/11

PART NUMBER DESCRIPTION



(CONTACT AUTOSPlice FOR ANY PART NUMBER NOT SHOWN)



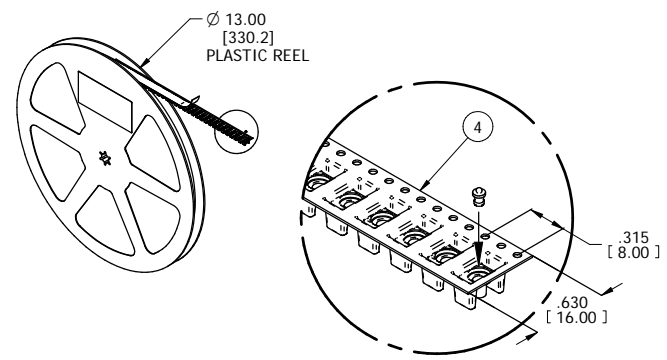
- MATERIAL:**
- 1 **PIN:** COPPER
 - 2 **INSULATOR:** FR-4 GLASS FILLED EPOXY
 - 3 **SOLDERBALL:** Sn Pb FREE (BLUE INSULATOR)
 - 4 **PACKAGING TAPE:** ANTI-STATIC, CONDUCTIVE POLYSTYRENE. COLOR: BLACK

CONFIDENTIAL CUSTOMER DRAWING

TOLERANCES UNLESS OTHERWISE SPECIFIED DIMENSIONS IN INCHES (mm)		AUTOSPlice®		Autosplice, Inc. 10121 Barnes Canyon Rd. San Diego, CA 92121-2725 858.535.0077	
DECIMAL: .XX = ±.01 [X.X] = ±0.3 [X.XX] = ±0.05 [X.XX] = ±0.13	ANGULAR: ±5°	DATE: 3/28/11	ENGINEERED BY: RIEK	DATE: 10/06/10	REVISION: 1
TITLE: SMT, MINI SOLDERBALL/TREADHEAD PIN		DRAWING NUMBER: C9-B97041H0TTT		SHEET 1 OF 1	
SCALE: 30:1	PART NO: CV-B97041H0117A-01	MODEL NO: 9-B97041H0117A-01			

The drawing and the information set forth herein are the property of Autosplice, Inc. and are to be held in trust and confidence. Publication, disclosure, or use for any purpose not expressly authorizing in writing by Autosplice, Inc. is prohibited.

TAPE AND REEL PACKAGING



SUGGESTED APPLICATION VIEW

