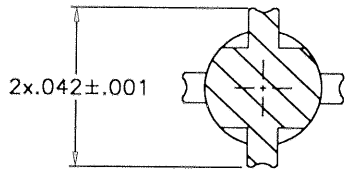
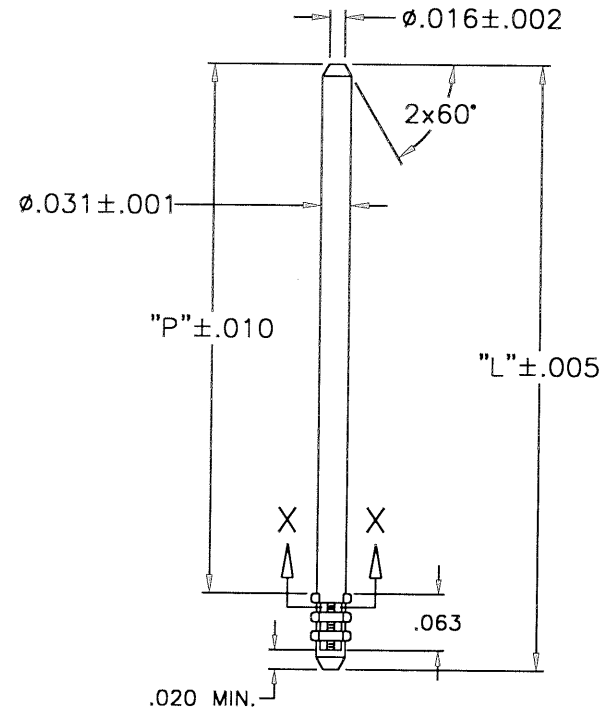
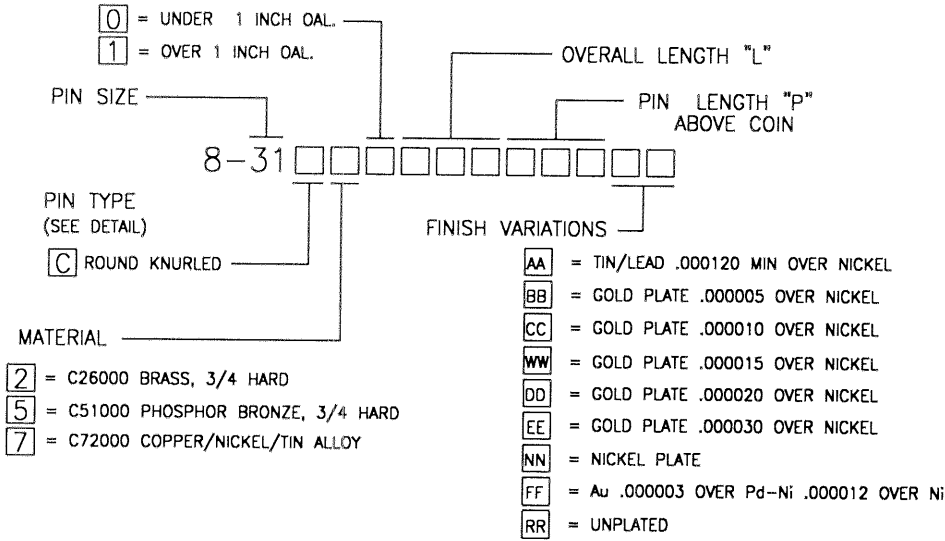


NOTE: UNLESS OTHERWISE SPECIFIED

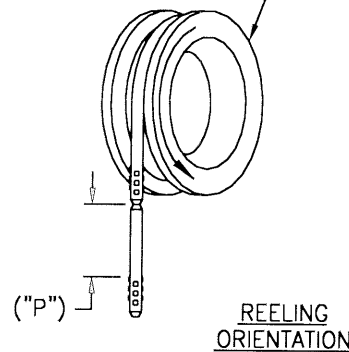
1. INTERPRET DRAWING IN ACCORDANCE WITH ANSI Y14.5-1982.
2. ALL DIMENSIONS APPLY AFTER PLATING.
3. PART TO BE SUPPLIED ON A CONTINUOUS REEL.

REV	REVISION RECORD	ECN	BY	APVD	DATE
A	INITIAL RELEASE	16585	JB	JB	06-25-99
B	UPDATE PER DOC. CONTROL	501939	RJB	RJB	1-14-02

PART NUMBER BREAKDOWN



3 REELING ORIENTATION
 AP/2 REEL
 (24" O.D. x 20" I.D.)



CUSTOMER DRAWING

This drawing and the information set forth hereon are the property of Autossplice, Inc. and are to be held in trust and confidence. Publication, duplication, disclosure, or use for any purpose not expressly authorized in writing by Autossplice, Inc. is prohibited.	TOLERANCES UNLESS OTHERWISE SPECIFIED DIMS IN INCHES DECIMAL: XX = ± .01 XXX = ± .005 ANGULAR: ± 3°	autossplice AUTOSPLICE INC. 10121 Barnes Canyon Road San Diego, California 92121 (619) 535-0077	DRAWN BY JOE CHECKED BY BIANCA DATE 06-25-99
	TITLE AUTOPIN/2 DETAIL PART DRAWING	SHEET C 0AE89 SCALE: NONE	DRAWING NUMBER C8-31CXXXXXXXXXX