

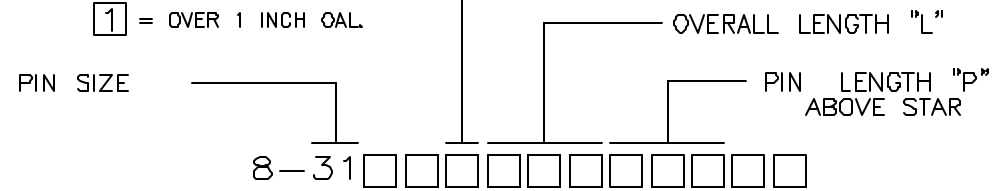
NOTE: UNLESS OTHERWISE SPECIFIED

1. INTERPRET DRAWING IN ACCORDANCE WITH ANSI Y14.5-1982.
2. QUANTITY OF PARTS PER REEL: 25,000 PCS.
3. PITCH CONSISTENCY TO BE WITHIN ± 0.005 OVER 3.000 INCHES.
- ⚠ PART TO BE SUPPLIED ON A CONTINUOUS REEL.
5. ALL DIMENSIONS APPLY AFTER PLATING.

REV	REVISION RECORD	ECN	BY	APVD	DATE
A	INITIAL RELEASE	14483	MAC	JB	8-05-96
B	PER ECN 14471	14471	MAC	JB	8-05-96

PART NUMBER BREAKDOWN

- 0 = UNDER 1 INCH OAL.
- 1 = OVER 1 INCH OAL.



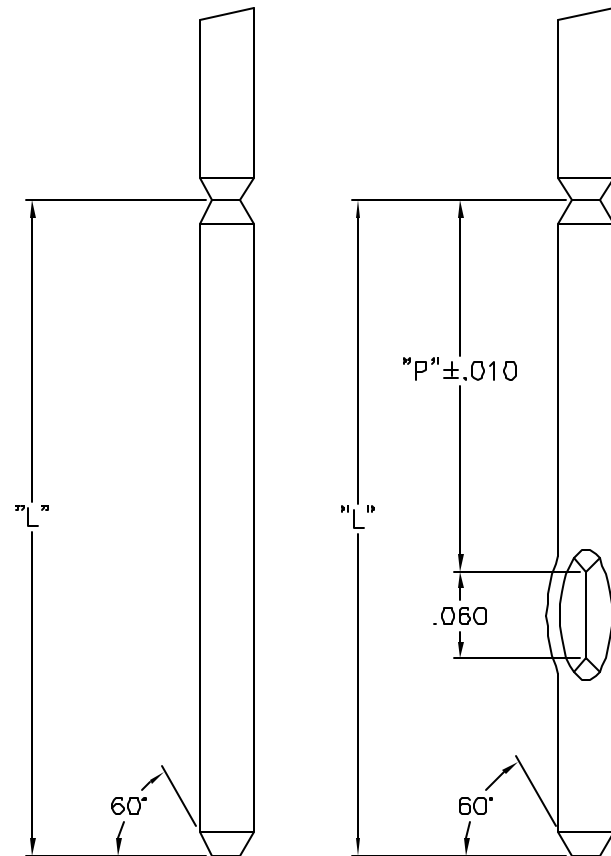
- PIN TYPE (SEE STAR DETAIL)
- 1 = SQUARE PIN
 - 2 = SQUARE PIN WITH STANDARD STAR

FINISH VARIATIONS

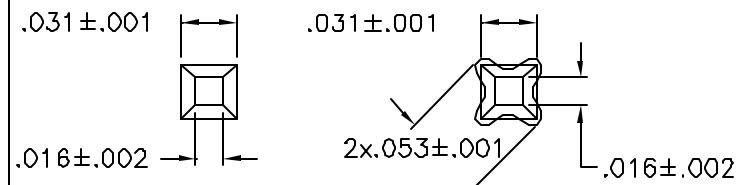
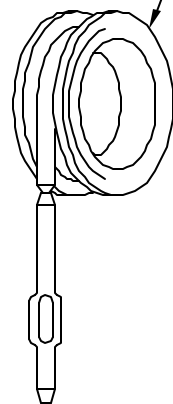
- AA = TIN/LEAD .000120 MIN OVER NICKEL
- BB = GOLD PLATE .000005 OVER NICKEL
- CC = GOLD PLATE .000010 OVER NICKEL
- WW = GOLD PLATE .000015 OVER NICKEL
- DD = GOLD PLATE .000020 OVER NICKEL
- EE = GOLD PLATE .000030 OVER NICKEL

MATERIAL

- 2 = BRASS ALLOY
- 5 = PHOSPHOR BRONZE ALLOY
- 7 = COPPER/NICKEL/TIN ALLOY



⚠ REELING ORIENTATION
AP/2 REEL
(24" O.D. x 20" I.D.)



- 1 SQUARE NO STAR
- 2 SQUARE STD. STAR

STAR DETAIL

PIN WITH NO STAR

PIN WITH STAR

CUSTOMER DRAWING

This drawing and the information set forth herein are the property of Autosplice, Inc. and are to be held in trust and confidence. Publication, duplication, disclosure, or use for any purpose not expressly authorized in writing by Autosplice, Inc. is prohibited.

ALL DIMENSIONS ARE IN INCHES	autosplice ID 10121 Barnes Canyon Road San Diego, California 92121 (619) 535-0077
DECIMAL: XX $\pm .01$ XXX $\pm .005$	THIRD ANGLE PROJECTION DRAWN BY MAC M DATE 8-05-96 APPROVED BY J BIANCA DATE 8-05-96
ANGULAR: $\pm 5^\circ$	TITLE AUTOPIN/2 DETAIL PART DRAWING
SIZE C	PSOM NO. 0AE89 DRAWING NUMBER C8-31 [1 thru 2] [0000] REV. B
SCALE: NONE	DWG FILE NO. C08-311-000 AND REV. SHEET 1 OF 1