

4

3

2

1

NOTES: UNLESS OTHERWISE SPECIFIED

- 1. INTERPRET DRAWING IN ACCORDANCE WITH ANSI Y14.5M-1982.
- 2. MATERIAL: C11000 COPPER ALLOY.
- 3. FINISH: POST-PLATED .000120"(0.003) MIN TIN/LEAD 90/10, OVER .000050"(0.001) MIN NICKEL.
- 4. ALL DIMENSIONS APPLY AFTER PLATING.
- 5. .004(0.10) MAX BLANKING BURR PERMISSIBLE, BURRS NOT TO EXCEED THE SPECIFIED FEATURE TOLERANCE. BURR SIDE FACES HUB.
- 6. .005(0.13) MAX RADII & FILLETS PERMISSIBLE ON ALL CORNERS.
- 7. QUANTITIES OF PART PER REEL IS 20,000 PIECES. PART TO BE SUPPLIED ON A CONTINUOUS REEL AS SHOWN; ONE BREAK AND NO SPLICES ALLOWED.
- 8. RECOMMENDED UNPLATED PUNCHED HOLE SIZE: $\varnothing.063 \pm .002 (1.60 \pm 0.05)$.

REV	REVISION RECORD	ECN	BY	APVD	DATE
X6	DESIGN REVIEW	-	TM	JB	3/5/01
A	INITIAL RELEASE PER EWR 101217	501383	JB	JB	7/30/01

F

F

E

E

D

D

C

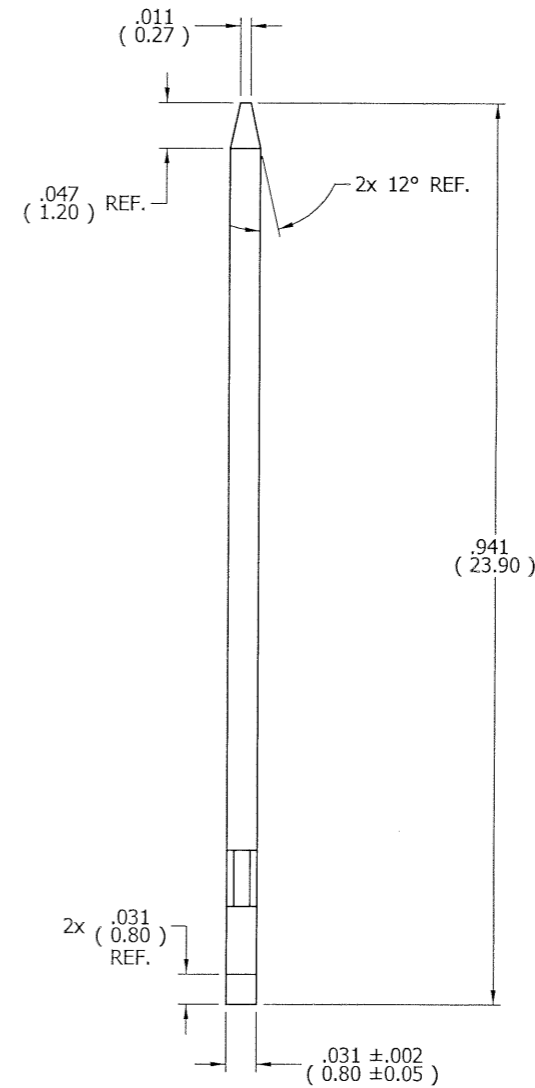
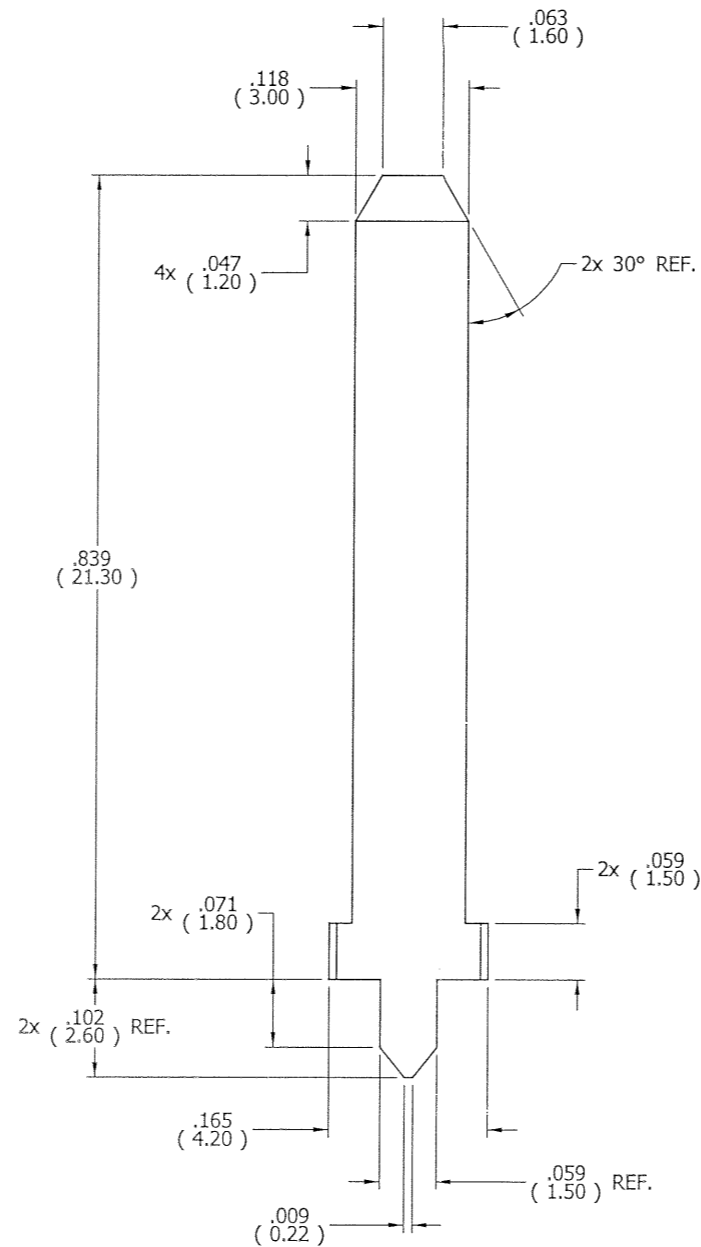
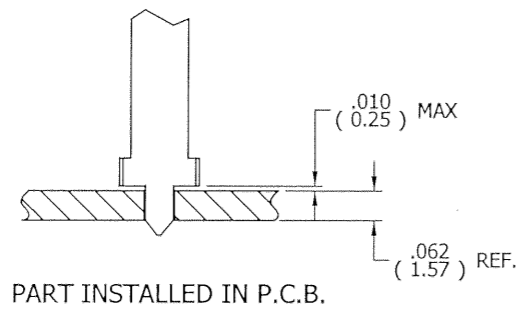
C

B

B

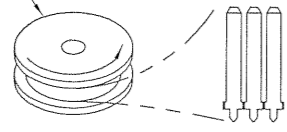
A

A



REELING ORIENTATION

14" CARDBOARD REEL, P/N 52-2339-8 OR EQUIV.



(BURR SIDE FACING HUB)

CUSTOMER DRAWING

The drawing and the information set forth hereon are the property of AutosplICE, Inc. and are to be held in trust and confidence. Publication, disclosure, or use for any purpose not expressly authorizing in writing by AutosplICE, Inc. is prohibited.

MATERIAL:

2

FINISH:

3

TOLERANCES UNLESS OTHERWISE SPECIFIED DIMENSIONS IN INCHES (mm)

DECIMAL: .XX = ±.01
 (XX) = ±(0.3)
 .XX X = ±.005
 (XXX) = ±(0.13)
 ANGULAR: ± 2°

autosplICE®

AutosplICE, Inc.
 10171 Barnes Canyon Rd.
 San Diego, CA 92121-2725
 658-531-9077

THIRD ANGLE PROJECTION

DRAWN BY: MacKay
 DATE: 12-08-00

ENGINEERED BY: BIANCA
 DATE: 12-08-00

TITLE: VERTICAL TERMINAL, .118 (3.0mm)

SIZE: C
 FSCM NO.: OAE89
 DRAWING NUMBER: C7-V1054-009AA
 REVISION: A

SCALE: 8:1
 CAD NO.: C7-V1054A.DFT
 MODEL NO.: 7-V1054.PAR
 SHEET 1 OF 1

4

3

2

1