

REV	REVISION RECORD	ECN	BY	APVD	DATE
A	INITIAL RELEASE	14183	MAC	JB	6-05-96
B	PER ECN 14471	14471	MAC	JB	6-05-96
C	PER EWR 990359	16540	JB	JB	6-05-96

NOTE: UNLESS OTHERWISE SPECIFIED

1. INTERPRET DRAWING IN ACCORDANCE WITH ANSI Y14.5-1982.
2. REMOVED
3. PITCH CONSISTENCY TO BE WITHIN ± 0.005 OVER 3.000 INCHES.
- \triangle PART TO BE SUPPLIED ON A CONTINUOUS REEL.
5. ALL DIMENSIONS APPLY AFTER PLATING.

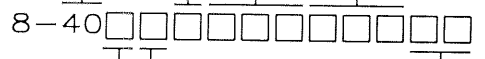
PART NUMBER BREAKDOWN

- 0 = UNDER 1 INCH OAL.
- 1 = OVER 1 INCH OAL.

PIN SIZE

OVERALL LENGTH "L"

PIN LENGTH "P" ABOVE STAR



PIN TYPE
(SEE STAR DETAIL)

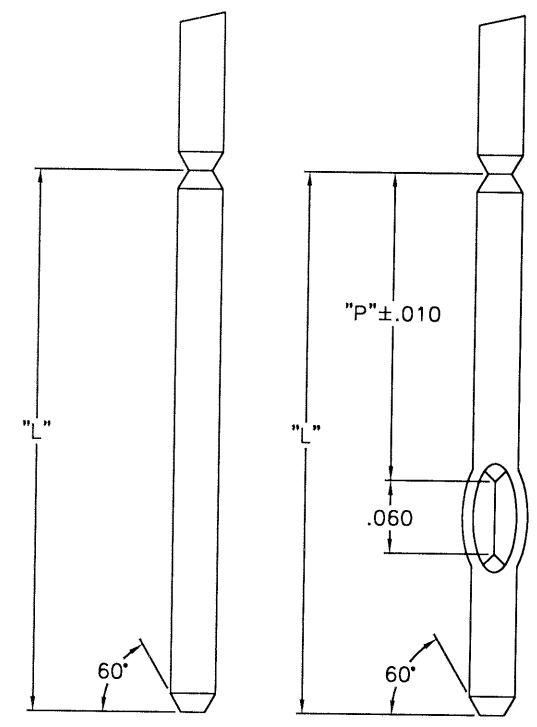
- 4 = ROUND PIN
- 5 = ROUND PIN WITH STANDARD STAR

FINISH VARIATIONS

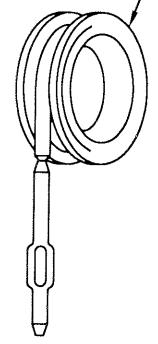
- AA = TIN/LEAD .000120 MIN OVER NICKEL
- BB = GOLD PLATE .000005 OVER NICKEL
- CC = GOLD PLATE .000010 OVER NICKEL
- WW = GOLD PLATE .000015 OVER NICKEL
- DD = GOLD PLATE .000020 OVER NICKEL
- EE = GOLD PLATE .000030 OVER NICKEL
- RR = UNPLATED

MATERIAL

- 2 = BRASS ALLOY
- 5 = PHOSPHOR BRONZE ALLOY
- 7 = COPPER/NICKEL/TIN ALLOY



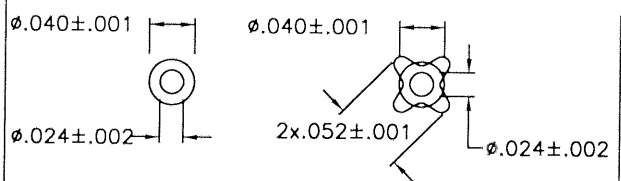
\triangle REELING ORIENTATION
AP/2 REEL
(24" O.D. x 20" I.D.)



PIN WITH NO STAR

PIN WITH STAR

CUSTOMER DRAWING



- 4 ROUND NO STAR
- 5 ROUND STD. STAR

STAR DETAIL

This drawing and the information set forth herein are the property of Autossplice, Inc. and are to be held in trust and confidence. Publication, duplication, disclosure, or use for any purpose not expressly authorized in writing by Autossplice, Inc. is prohibited.	ALL DIMENSIONS ARE IN INCHES DECIMAL: XX = ±.01 XXX = ±.005	autossplice AUTOSPLICE INC. 10121 Barnes Canyon Road San Diego, California 92121 (619) 535-0077 AUTOSPLICE INC.
	ANGULAR: ±5°	THIRD ANGLE PROJECTION DRAWN BY MAC M DATE 6-05-96 APPROVED BY J BIANCA DATE 6-05-96 TITLE AUTOPIN/2 DETAIL PART DRAWING
SIZE C	FSCM NO. 0AE89	QUANTITY 4 thru 5