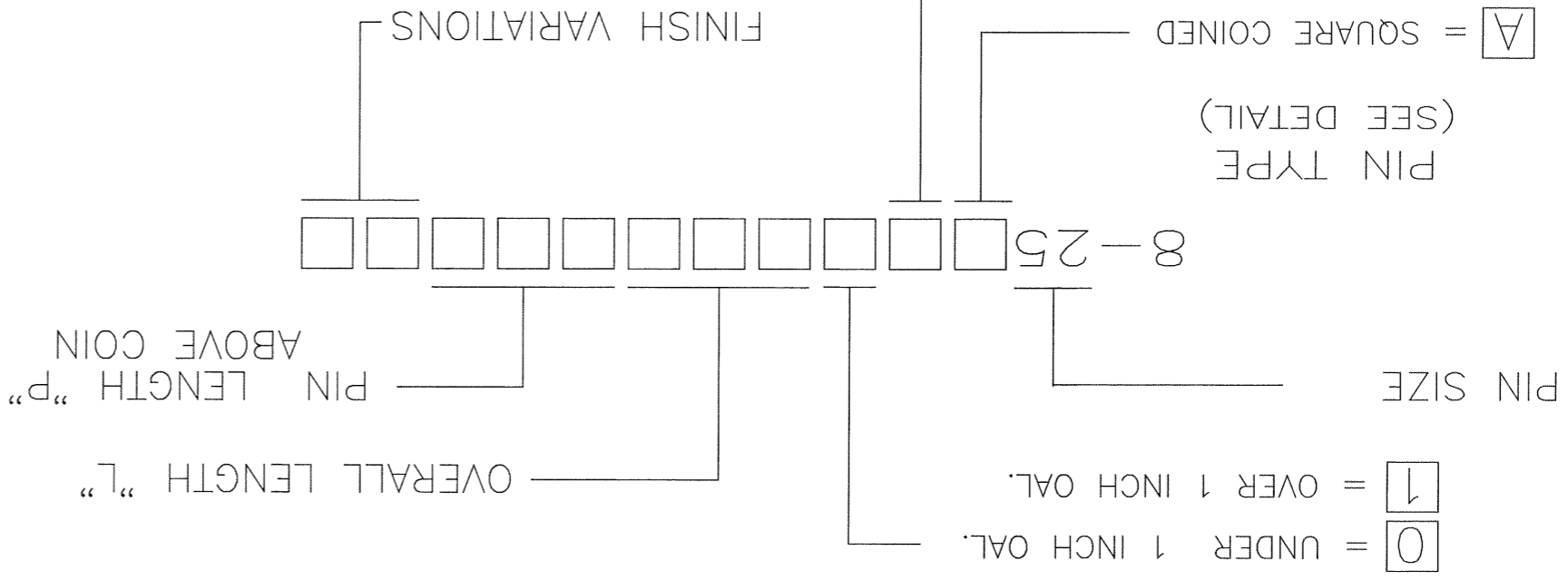


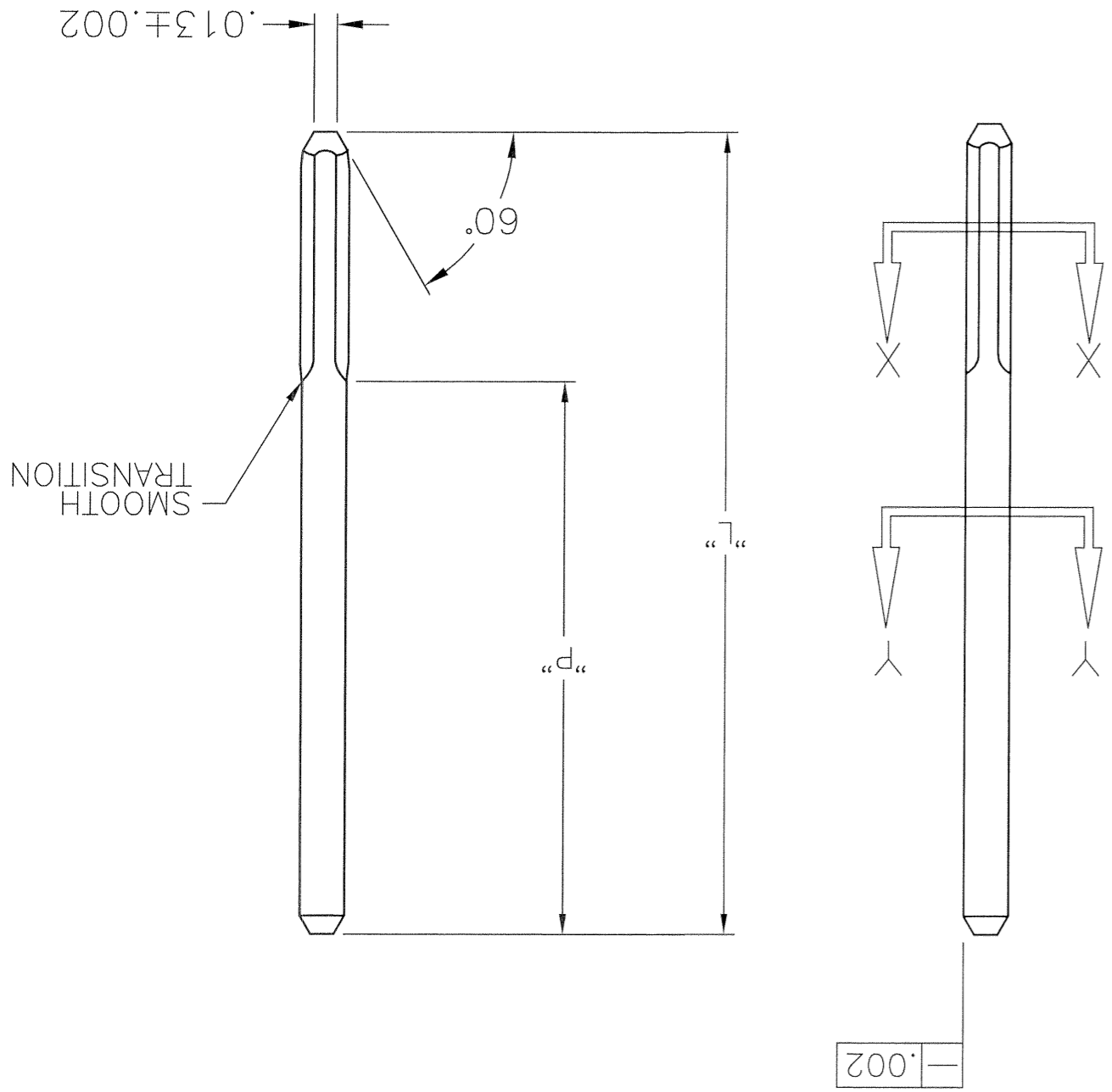
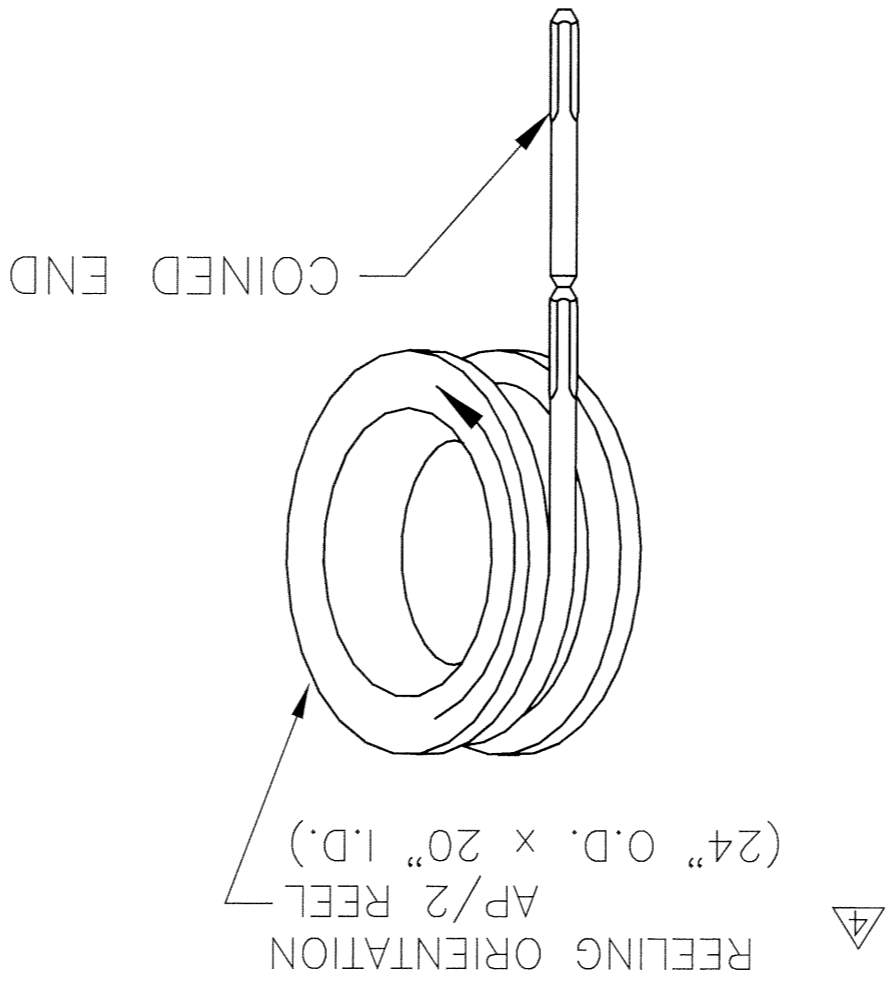
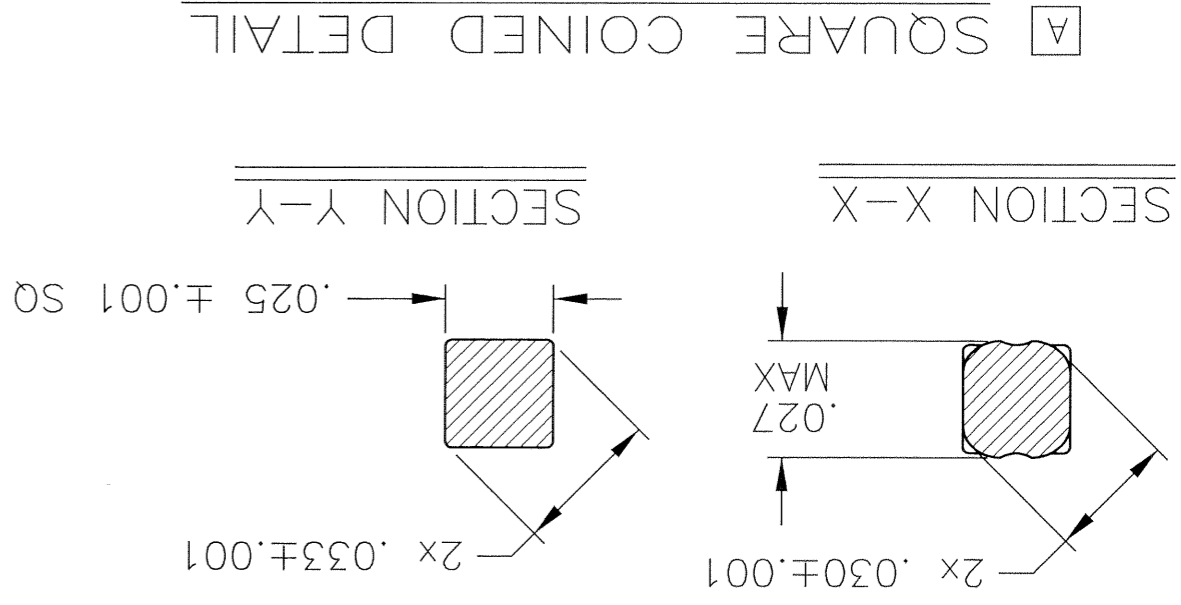
NOTE: UNLESS OTHERWISE SPECIFIED

1. INTERPRET DRAWING IN ACCORDANCE WITH ANSI Y14.5-1982.
2. REMOVED
3. PITCH CONSISTENCY TO BE WITHIN ± 0.05 OVER 3.000 INCHES.
4. PART TO BE SUPPLIED ON A CONTINUOUS REEL.
5. ALL DIMENSIONS APPLY AFTER PLATING.

PART NUMBER BREAKDOWN



- MATERIAL
- 7 = COPPER/NICKEL/TIN ALLOY
 - 5 = PHOSPHOR BRONZE ALLOY
 - 2 = BRASS ALLOY
- FINISH VARIATIONS
- FF = PALLADIUM NICKEL .000015 OVER NICKEL
 - NN = NICKEL PLATE .000050
 - EE = GOLD PLATE .000030 OVER NICKEL
 - DD = GOLD PLATE .000020 OVER NICKEL
 - WW = GOLD PLATE .000015 OVER NICKEL
 - CC = GOLD PLATE .000010 OVER NICKEL
 - BB = GOLD PLATE .000005 OVER NICKEL
 - AA = TIN/LEAD .000120 MIN OVER NICKEL



SCALE: NONE	CAD FILE NO. C08-25AXXXX AND REV.	SHEET 1 OF 1
SIZE: C	FSCM NO. 0AEB89	DRAWING NUMBER C8-25A
ANGULAR: ±.5°	DECIMAL: XX = ±.01 XXX = ±.005	TITLE: AUTOPIN/2 DETAIL PART DRAWING
ALL DIMENSIONS ARE IN INCHES	THIRD ANGLE PROJECTION	APPROVED BY: J. BIANCA DATE: 6-05-96
This drawing and the information set forth hereon are the property of Autosplice, Inc. and are to be held in trust and confidence. Publication, duplication, disclosure, or use for any purpose not expressly authorized in writing by Autosplice, Inc. is prohibited.	DRAWN BY: MAC M DATE: 6-05-96 AUTOSPlice INC. 10121 Barnes Canyon Road San Diego, California 92121 (619) 535-0077	AUTOSPlice INC. 10121 Barnes Canyon Road San Diego, California 92121 (619) 535-0077

CUSTOMER DRAWING

REV	ECN	BY	APVD	DATE
A	1471	MAC	JB	6-96
B	14471	MAC	JB	6-96
REVISION RECORD				
A	1471	MAC	JB	6-96
INITIAL RELEASE				
B	14471	MAC	JB	6-96
PER ECN 14471				