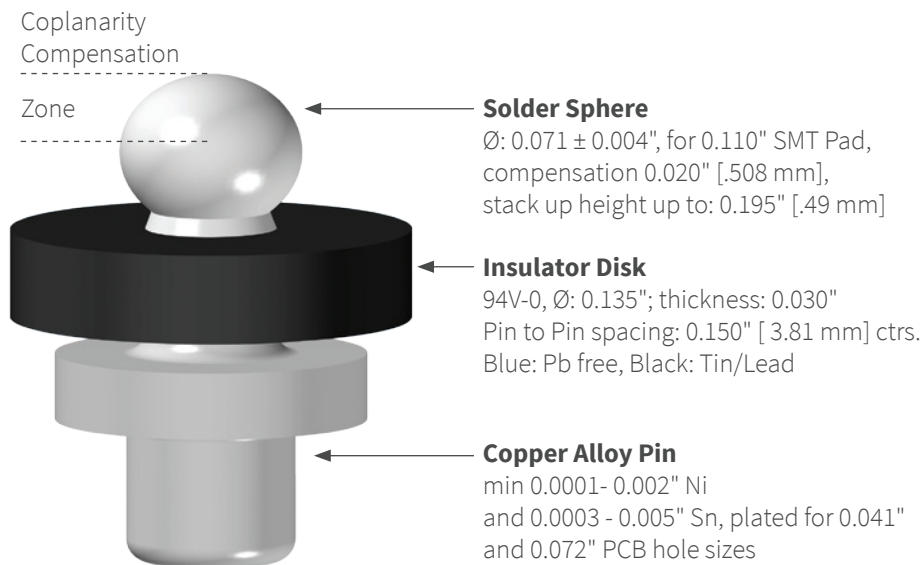


MIDI SOLDERBALL PIN SPECIFICATIONS

PART NUMBER	QTY PER REEL	TAIL CONFIGURATION	PIN SIZE DIAMETER	STACK HEIGHT	TAIL LENGTH	SOLDERBALL DIAMETER	RoHS COMPLIANT
9-B13341AATTA	1,600	Tapered	.033" [0.84]	.100" [2.54]	.034" [0.86]	.071" [1.80]	Tin Lead
9-B13341AATTT	1,600	Tapered	.033" [0.84]	.100" [2.54]	.034" [0.86]	.071" [1.80]	Yes
9-B13341BBTTA	1,600	Tapered	.033" [0.84]	.130" [3.30]	.040" [1.02]	.071" [1.80]	Tin Lead
9-B13341BBTTT	1,600	Tapered	.033" [0.84]	.130" [3.30]	.040" [1.02]	.071" [1.80]	Yes

MECHANICAL SPECIFICATIONS:

- PIN TERMINAL: High Conductivity Copper Alloy
- SOLDER SPHERE: RoHs Compliant SAC Alloy or Tin/Lead
- PACKAGING: STD 16 mm Tape & Reel per Spec EIA-481
- PICK & PLACE: Pin Trough Paste Via Standard SMT Equipment



AUTHORIZED DISTRIBUTORS



Casey Donovan | 800. 325. 0534 | cdonovan@keiconn.com



www.hiscoinc.com | +1 877. 447. 2650 | info@hiscoinc.com

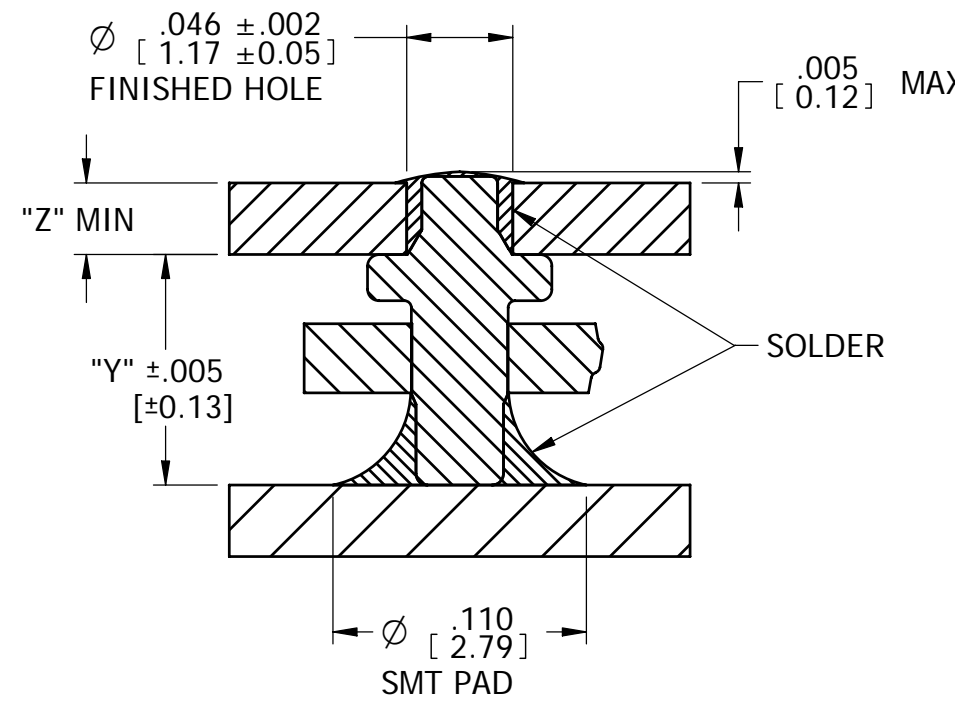
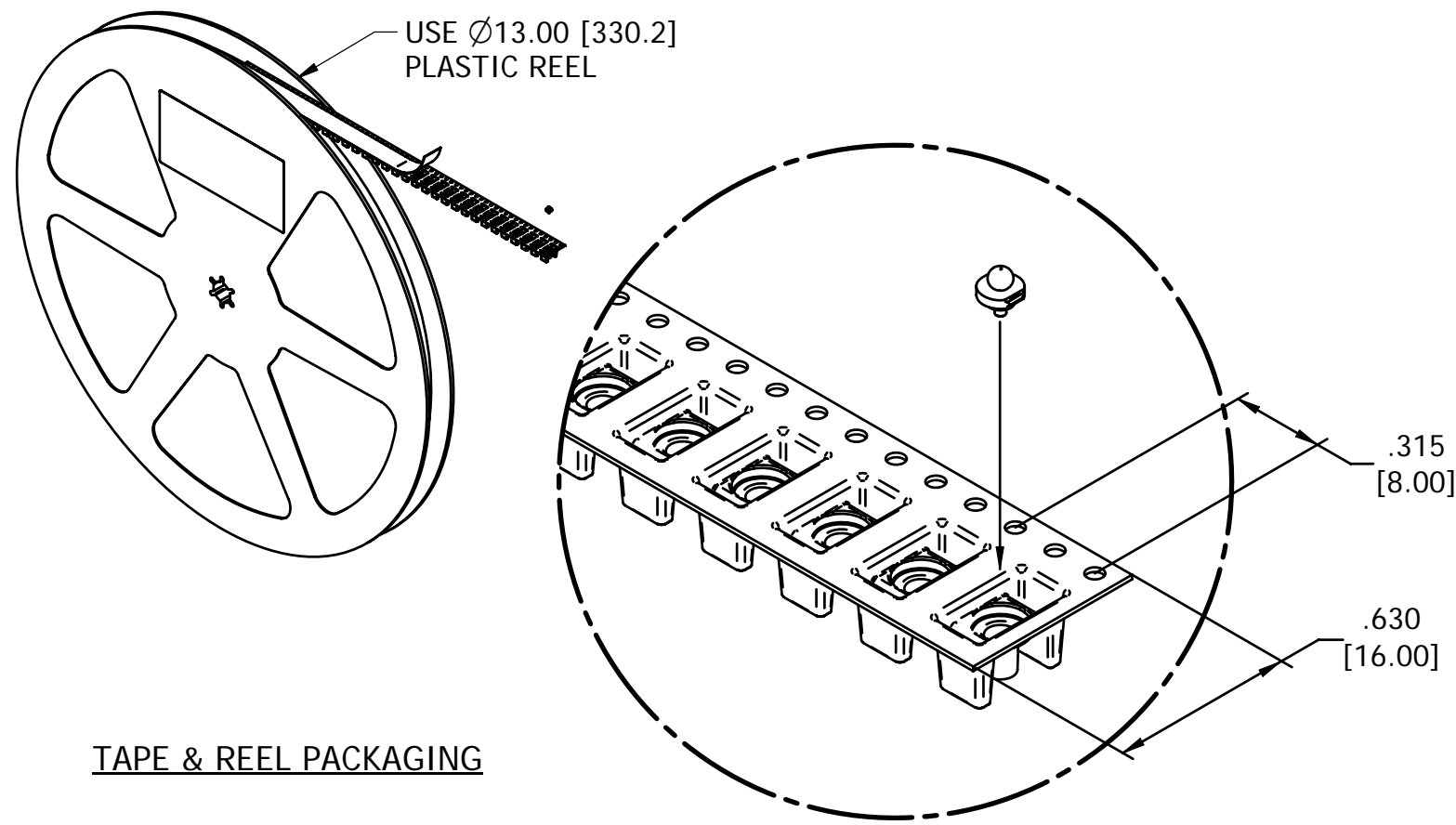
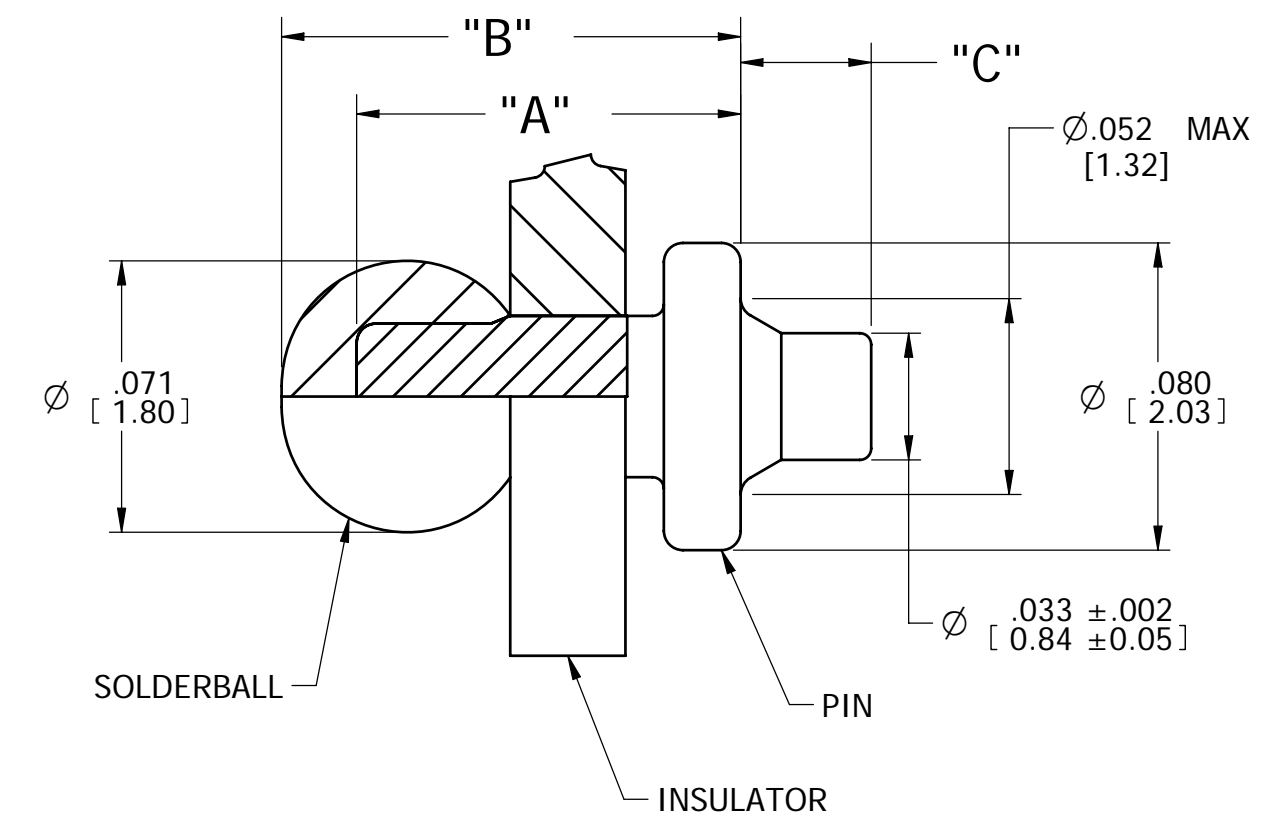
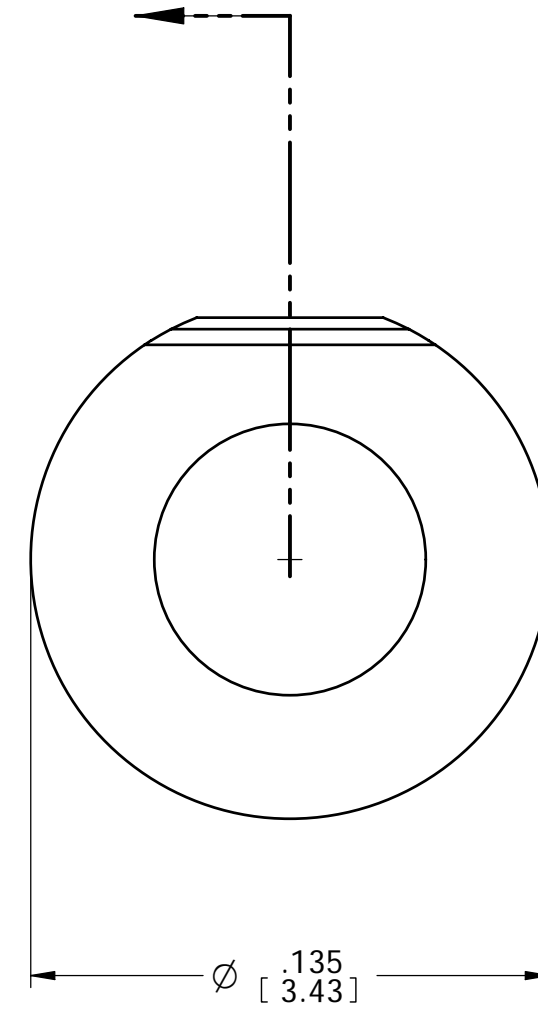
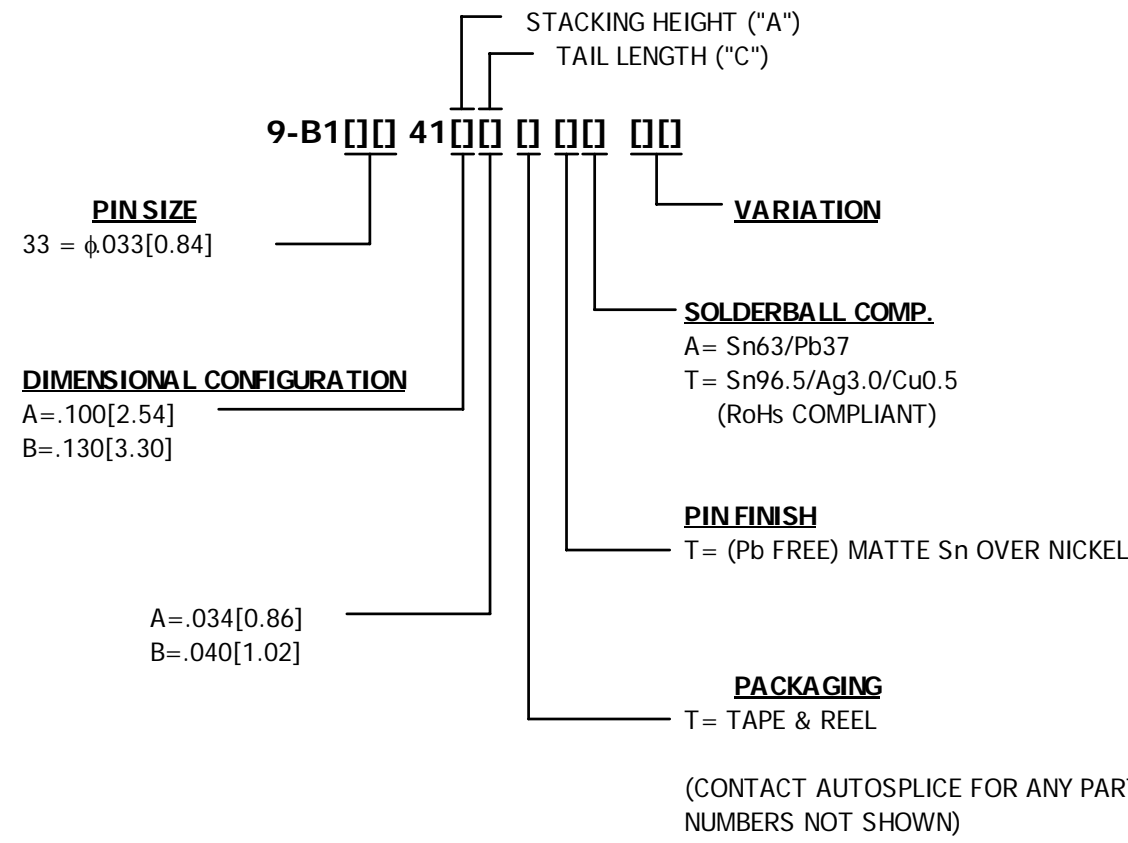
NOTES: UNLESS OTHERWISE SPECIFIED

- INTERPRET DRAWING IN ACCORDANCE WITH ASME Y14.5M -1994
- PARTS TO BE PACKAGED IN TAPE & REEL PER EIA STD-481
- MATERIALS: PIN= COPPER; INSULATOR=FR-4 GLASS EPOXY; SOLDERBALL=SnPb (BLACK) & Pb FREE (BLUE)
- RECOMMENDED PICK HEIGHT: .025 [0.64] FROM THE TOP OF THE POCKET
- SOLDERABILITY PER IPC/EIA J-STD-002, TEST A, CATEGORY 3
- PREPROCESSED COPPER PIN TO BE PLATED WITH .000300"-.000500" [0.0076-0.0127] THICK MATTE Sn (Pb FREE) OVER .000100"-.000200" [0.0025-0.0051] Ni, INSPECTED PER AUTOSPlice WORK INSTRUCTION 4.10-14 REV 'A'.

PART NUMBER	"A"	"B"	"C"	"Y"	"Z"	INSULATOR COLOR	QTY/REEL
9-B13341AATTA	.100 [2.54]	.120±.007 [3.05±0.18]	.034±.003 [0.86±0.08]	.105 [2.67]	.032 [0.81]	BLACK	1800±15%
9-B13341AATTT	.100 [2.54]	.120±.007 [3.05±0.18]	.034±.003 [0.86±0.08]	.105 [2.67]	.032 [0.81]	BLUE	1800±15%
9-B13341BBTTT	.130 [3.30]	.150±.007 [3.81±0.18]	.040±.003 [1.02±0.08]	.135 [3.43]	.038 [0.97]	BLUE	1500±15%
9-B13341BBTTA	.130 [3.30]	.150±.007 [3.81±0.18]	.040±.003 [1.02±0.08]	.135 [3.43]	.038 [0.97]	BLACK	1500±15%

REV	REVISION RECORD	ECN	BY	APVD	DATE
A	INITIAL RELEASE	505124	HR	PVB	09/21/07
B	REVISE PER EWR106140	505527	HR	PVB	09/04/08
C	REVISE PER EWR106356	505682	DJA	HR	01/30/09
D	ADDED P/N 9-B13341BBTTA AND DIMENSIONS PER EWR 106519	505787	Pete	PVB	06/05/09
E	REVISE PER EWR106568	505810	RJB	PVB	07/10/09

PART NUMBER BREAKDOWN



CUSTOMER DRAWING

The drawing and the information set forth hereon are the property of Autossplice, Inc. and are to be held in trust and confidence. Publication, disclosure, or use for any purpose not expressly authorizing in writing by Autossplice, Inc. is prohibited.

autossplice
Autossplice, Inc.
10121 Barnes Canyon Rd.
San Diego, CA 92121-2725
858-535-0077

TOLERANCES UNLESS OTHERWISE SPECIFIED DIMENSIONS IN INCHES (mm)

DECIMAL: .XX = ± .01
[X.X] = ± [0.3]
XXX = ± .005
[X.XX] = ± [0.13]

ANGULAR: ± 5°

THIRD ANGLE PROJECTION

DRAWN BY: H R
ENGINEERED BY: H REYNOLDS

DATE: 9/24/07
DATE: 9/24/07

TITLE: STD SOLDERBALL PIN ASSEMBLY

SIZE: C
FSCM NO.: OAE89
DRAWING NUMBER: C9-B13341[]TT[]

REVISION: E

SCALE: 20:1 CAD NO. C9-B13341[]TT[] [e.dft] MODEL NO. 9-B13341[]TT[] [b.sm] SHEET 1 OF 1