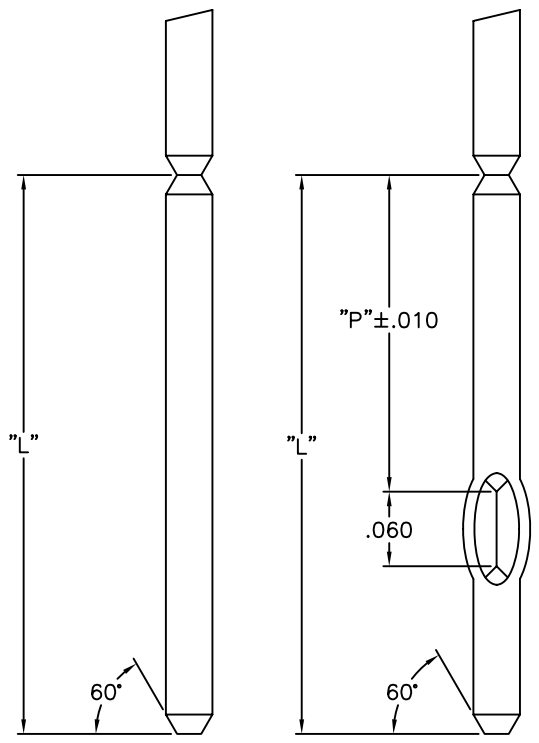
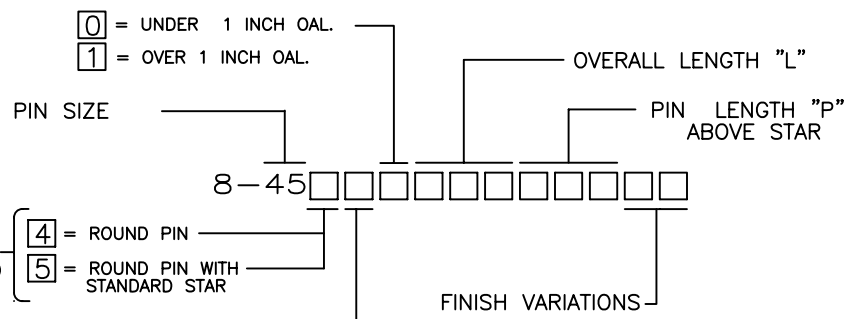


REV	REVISION RECORD	ECN	BY	APVD	DATE
A	INITIAL RELEASE	14183	MAC	JB	6-96
B	PER ECN 14471	14471	MAC	JB	10/97

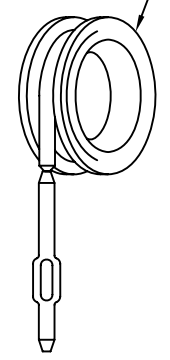
NOTE: UNLESS OTHERWISE SPECIFIED

1. INTERPRET DRAWING IN ACCORDANCE WITH ANSI Y14.5-1982.
2. REMOVED
3. PITCH CONSISTENCY TO BE WITHIN ± 0.005 OVER 3.000 INCHES.
- ⚠ PART TO BE SUPPLIED ON A CONTINUOUS REEL.
5. ALL DIMENSIONS APPLY AFTER PLATING.

PART NUMBER BREAKDOWN



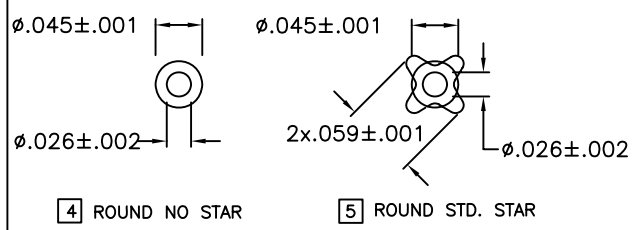
⚠ REEILING ORIENTATION
AP/2 REEL
(24" O.D. x 20" I.D.)



PIN WITH NO STAR

PIN WITH STAR

CUSTOMER DRAWING



STAR DETAIL

This drawing and the information set forth herein are the property of Autossplice, Inc. and are to be held in trust and confidence. Publication, duplication, disclosure, or use for any purpose not expressly authorized in writing by Autossplice, Inc. is prohibited.

ALL DIMENSIONS ARE IN INCHES			AUTOSPlice INC. 10121 Barnes Canyon Road San Diego, California 92121 (619) 535-0077	
	DECIMAL: XX = $\pm .01$ XXX = $\pm .005$	THIRD ANGLE PROJECTION 	DRAWN BY MAC M APPROVED BY J BIANCA	DATE 6-05-96 DATE 6-05-96
ANGULAR: $\pm 5^\circ$	TITLE AUTOPIN/2 DETAIL PART DRAWING		SIZE FSCIM NO. DRAWING NUMBER C 0AE89 C8-45[4thru5]	SCALE: NONE CAD FILE NO. C08-454-SOX AND REV. SHEET 1 OF 1